

# RMSTAT Room Stat with Indication



A room temperature sensor unit with a setpoint slider and digital temperature indication for use with D-Series controllers.

## Features

- 0.1 Deg Celsius temperature readout
- Available in any colour
- Super low profile
- Remote sensor option
- Curved base for column mounting
- Comms connection to controller

Technical Data
0.4 Deg Celsius temperature accuracy
0.1 Deg Celsius temperature resolution
100K NTC curve calibrated thermistor sensor





Room stat side view.



Room sensor with Setpoint and digital indication.

**Setpoint Only and Blank Options**



Room sensor with Setpoint Only option.



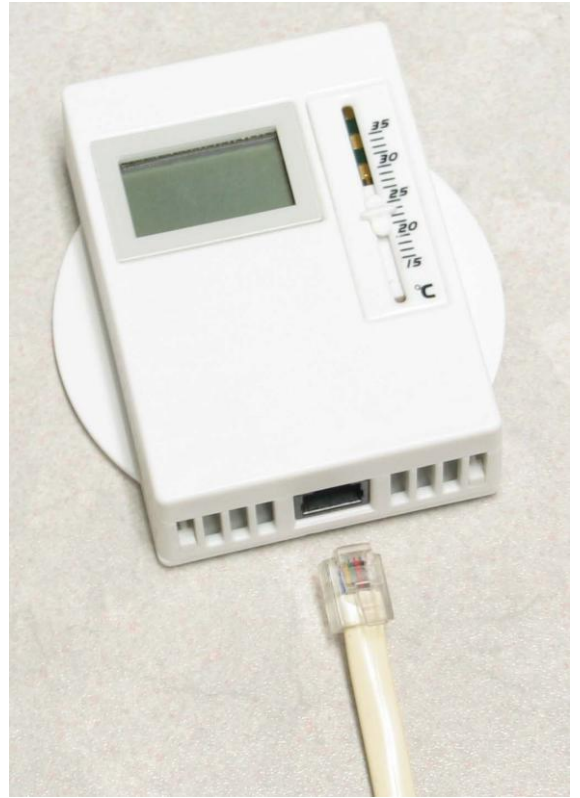
Room sensor only option.

## Wiring Connections

The RMSTAT is connected to the D-Series controller by means of a 6 wire flat cable with RJ12 connectors. The wires are used to power the RMSTAT, connect the sensor and setpoint to the controller and to facilitate comms with the controller from a PC or configuration tool.



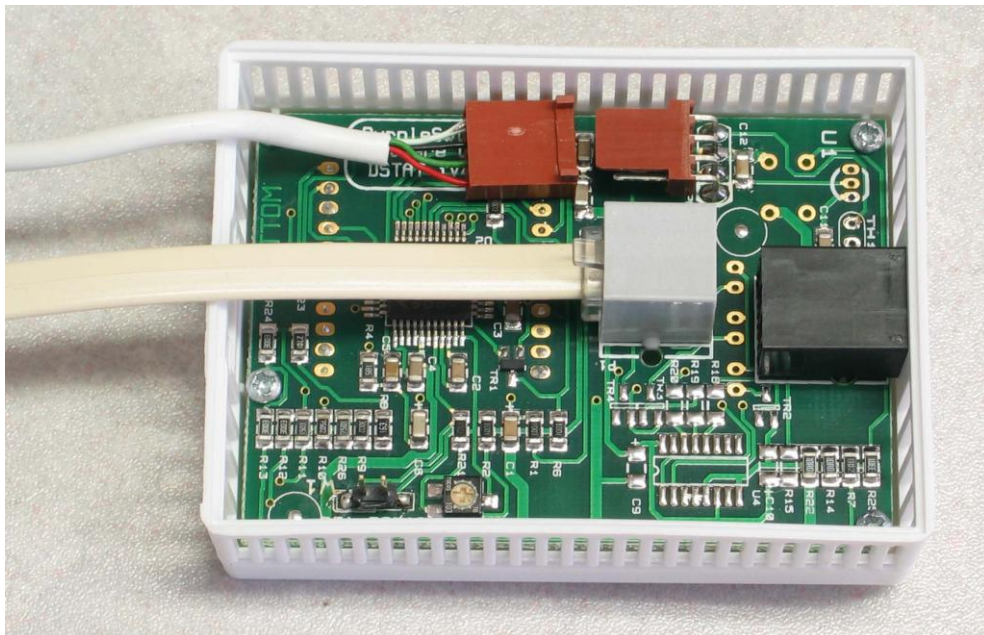
RMSTAT to D-Series controller RJ12 connection.



RMSTAT to PC RJ12 connection.

## Remote Sensor Option

The RMSTAT can optionally be used with a remote sensor with 10 metre cable. This is useful for using the RMSTAT to provide return air temperature indication or chilled water temperature indication.



RMSTAT to remote sensor connection.

## Mounting Options

The RMSTAT mounting base is available in four options. Standard, curved, flanged and curved flanged. The curved base is for mounting the RMSTAT on a round column. The flanged base is used to mount the RMSTAT on a 50 mm round junction box.

FIGURE 1: Mounting Standard Flat Based Unit onto dry wall

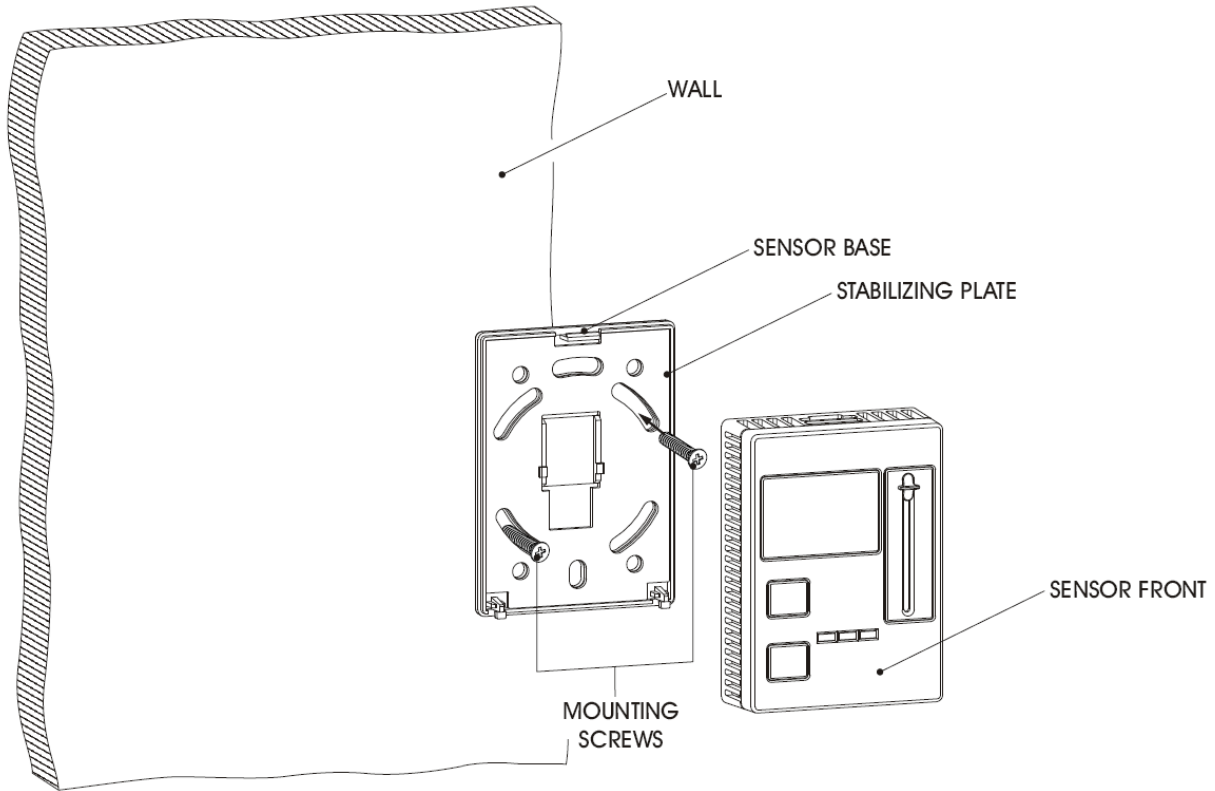


FIGURE 2: Mounting Flat Flanged Based Unit onto round junction box in plaster wall

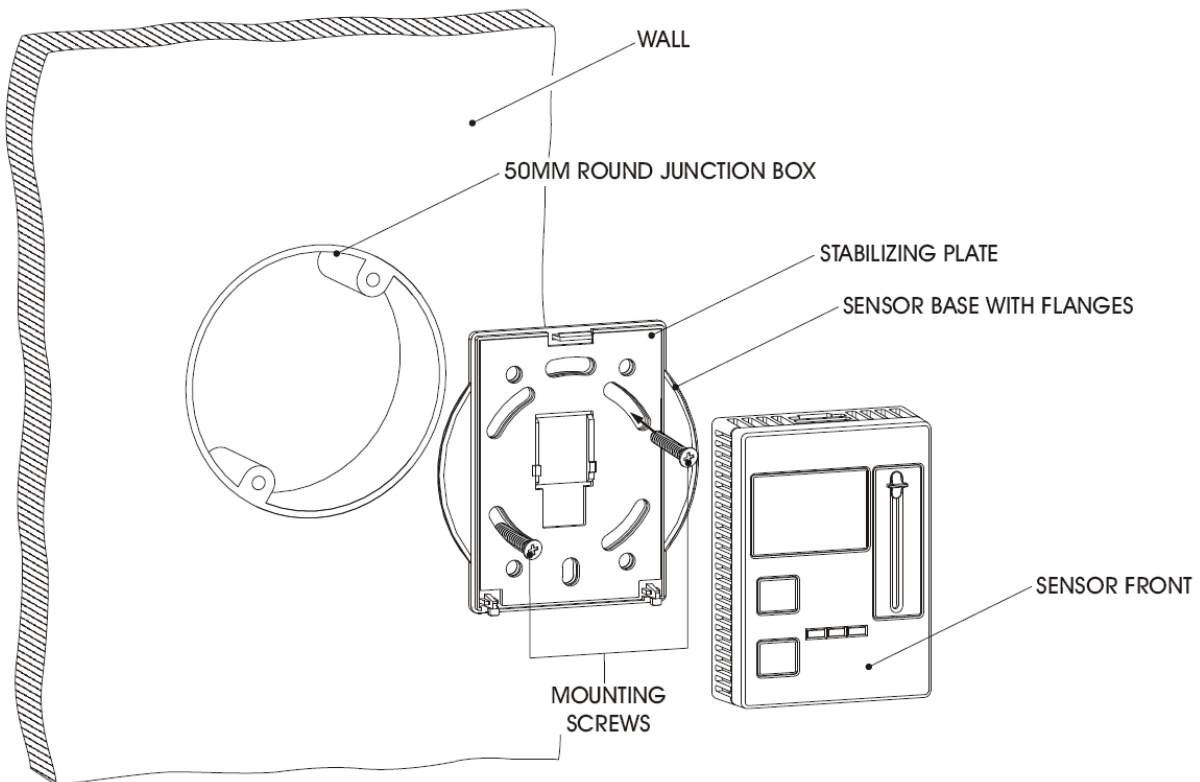
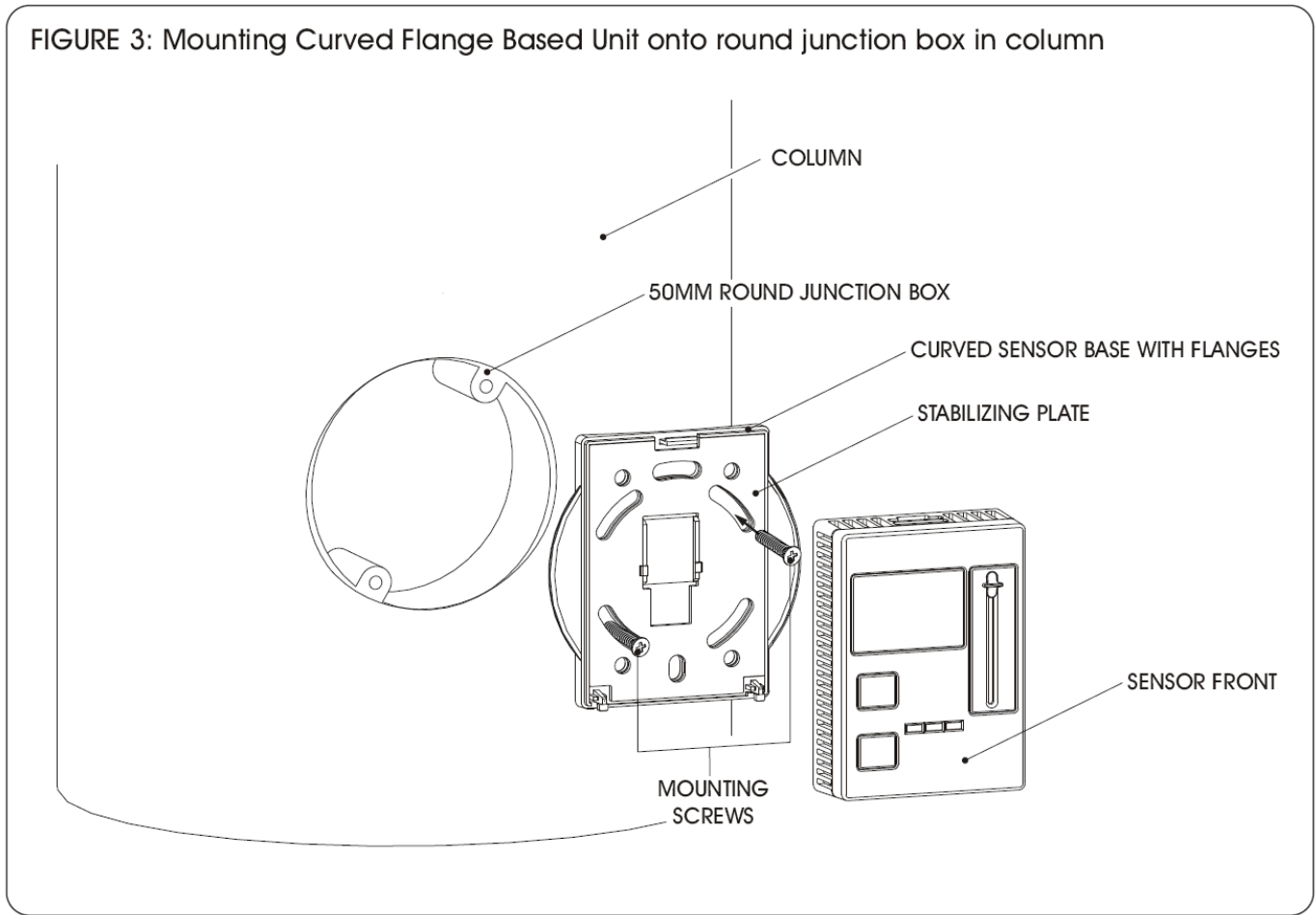




FIGURE 3: Mounting Curved Flange Based Unit onto round junction box in column



### Dimensions

